

DOMINO[®] – Smooth tile



The linear smooth tile

DOMINO® – Sophisticated down to the finest detail



MINIMUM
TILE
REQUIREMENT
approx.
12.7
pcs/m²

DOMINO THE BENEFITS

- Large adjustment range of 12 mm per tile**
- First-class raw materials ensure high homogeneity with low shrinkage and the high proportion of iron oxide creates authentic, brilliantly intense colours**
- Very pronounced recess shape at the vertical interlock**
- Can be laid in bonded pattern on roof pitches of 25° or more without additional measures ***



DOMINO has a single vertical interlock. But how! The very pronounced recess shape provides optimal water control, even with massive wind impact. The stepped overlaps reliably protect against penetration of water and dirt.

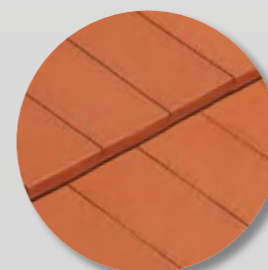
Two stable suspension lugs ensure secure retention and reliable rear ventilation of the roof battens.



The very pronounced recess shape of the vertical interlock provides optimal water control, even with massive wind impact. The stepped overlaps reliably protect against penetration of water and dirt.

A special horizontal interlock that ensures optimal flow behaviour, reliable water control and exceptional tightness, despite the large adjustment range.

Lengthwise, wedge-shaped support ribs improve the structure and direct any condensate to the tile below.

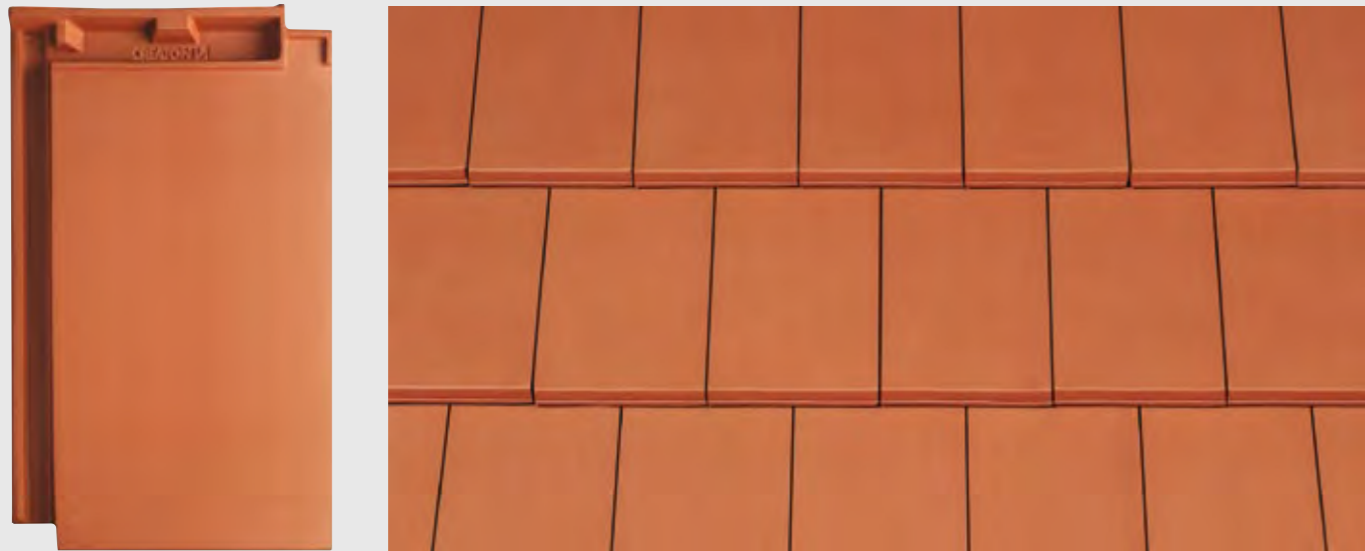


The clear lines and strict formal reduction to essential elements ensure a surface appearance with stylish, superior elegance.

DOMINO® – Many colours and surface finishes

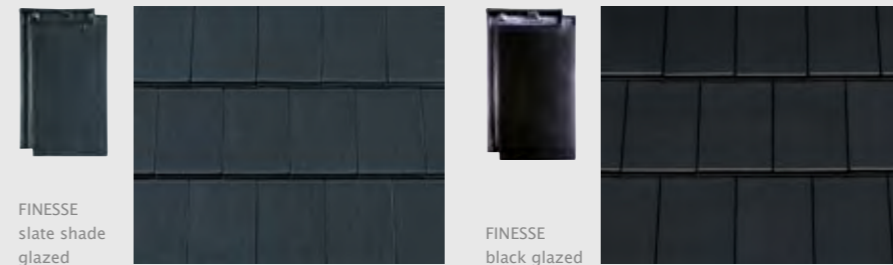
NATURAL RED

PERFECT RAW MATERIALS GUARANTEE QUALITY AND PURITY



FINESSE

LARGE VOLUME GLAZE

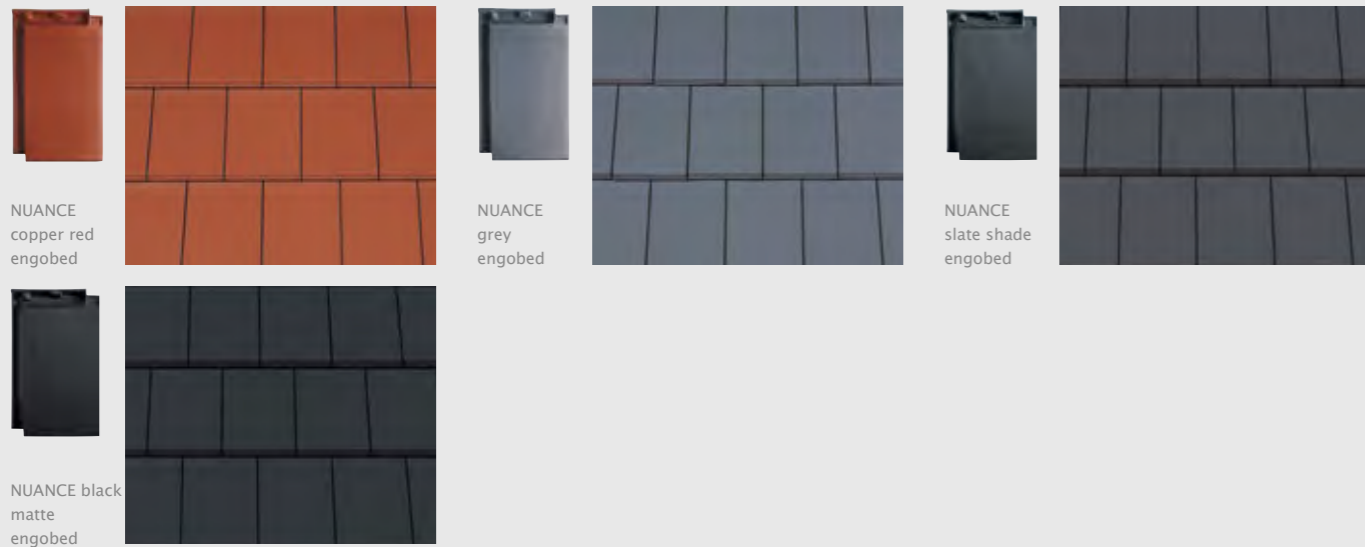


FINESSE
slate shade
glazed

FINESSE
black glazed

NUANCE

ENGOBES COLLECTION



NUANCE
copper red
engobed

NUANCE
grey
engobed

NUANCE
slate shade
engobed

NUANCE black
matte
engobed



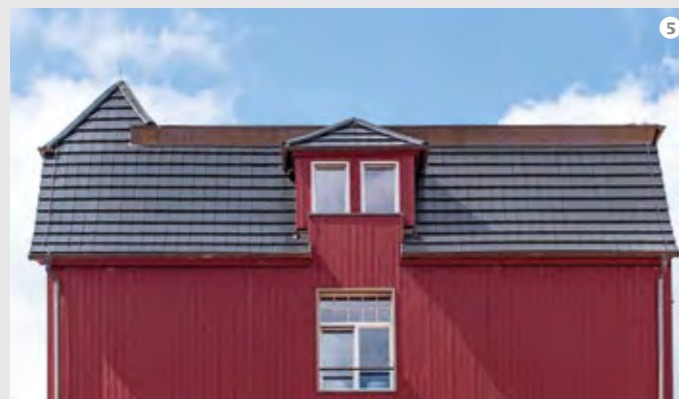
CONTACT-FREE FIRING PROCESSES

The highest quality is guaranteed by the finest raw materials, our contact-free firing process in the flat firing cassette and continual optimisation of the production process.

More at www.creaton.com

DOMINO® – Form and function

- 1 NUANCE slate shade engobed
- 2 natural red
- 3 NUANCE slate shade engobed
- 4 FINESSE wine red glazed
- 5 NOBLESSE dark blue glazed
- 6 FINESSE red glazed



CREATON MEDIA

SEARCH FIND SHARE

Make planning, tender preparation and installation easier with the unique CREATON online media library.

More at
www.creaton-media.de





AESTHETIC

RELIABLE

HIGH QUALITY

DOMINO® – Original accessories



CERAMIC ACCESSORIES

NATURAL, PERMANENT COLOUR AND UV PROTECTION



The colours of the depicted ridge and hip tile products are examples. The colour of the products you receive will match the desired model.

SYSTEM ACCESSORIES

FAST, EASY AND SECURE INSTALLATION



For safe roof access during maintenance work: CREATON step systems are distinguished by safe, non-slip treads and match the roof perfectly. CREATON snow guard grids, log brackets and massive mountain snow guard supports provide protection from snow and ice loads, especially in regions with heavy snowfall. Strong aluminium base elements were developed for easy, secure installation of flexible components that integrate perfectly into the roof surface in shape and colour.

CREATON

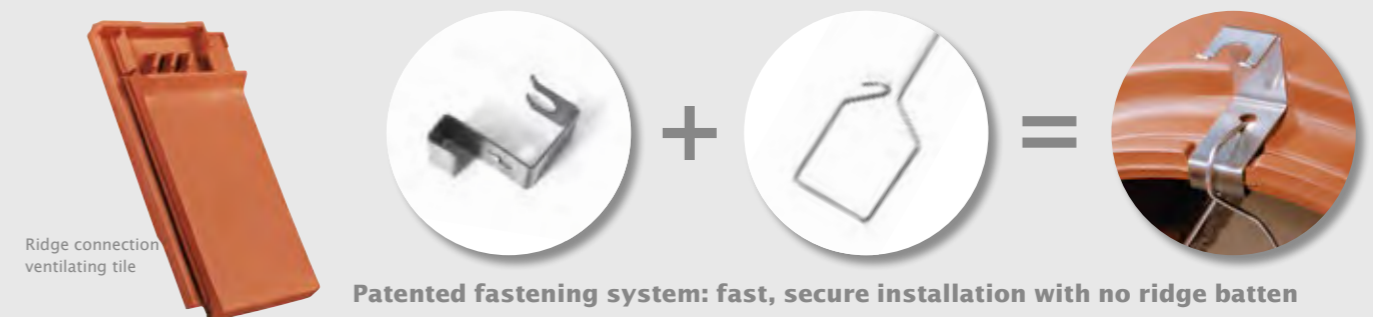
ROOF MEMBRANES



CREATON roof membranes provide you with great protection with **economical, cost-effective** sub-roof assemblies, even with low roof pitches.

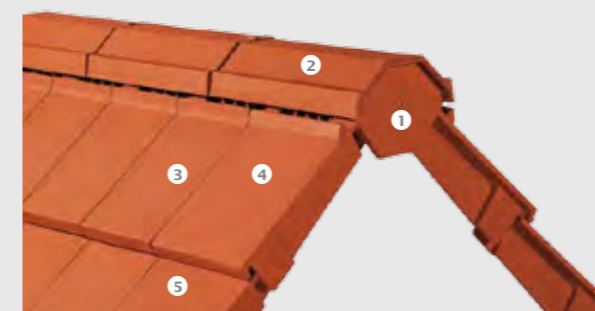
FULL CERAMIC RIDGE END CAP

OPTIMAL VENTILATION SYSTEM



Full ceramic roofs are particularly functional, sustainable and visually perfect. CREATON offers the ideal system complement for the DOMINO model with the full ceramic ridge end cap. Ridge connection ventilating tile with full ceramic spoiler ensures optimal ventilation for your roof. Even very flat roofs remain protected from rain intrusion.

Colours and shapes in the CREATON product range always match. And since the patented fastening system requires no mortar or plastic, the full ceramic roof connection is maintenance free. CREATON relies completely on the full ceramic roof – because it is the most economical and beautiful solution with lasting value.



- 1 Ridge starter and ridge termination plate ceramic PD
- 2 Ridge tile PD
- 3 Ridge connection ventilating tile
- 4 Ridge connection ventilating verge tile
- 5 Verge tile



You can find additional accessories in our price catalogue and on our website www.creaton.com/clay-roof-tiles/clay-roof-tiles/flat-tiles/domino-124-pcsm2/

CREATON® – For precision work on the roof



12 MM ADJUSTMENT RANGE

TECHNICAL DATA

Size:	approx. 257 x 436 mm	
Coverage width:	min.	approx. 224 mm
	average	approx. 225 mm
	max.	approx. 226 mm
Gauge:	min.	approx. 343 mm
	average	approx. 348 mm
	max.	approx. 354 mm
Tiles required:	min.	approx. 13.1 pcs./m ²
	average	approx. 12.7 pcs./m ²
	max.	approx. 12.4 pcs./m ²
Unit weight:	approx. 4.2 kg	approx. 53.3 kg/m ²
Mini-pack: 4 pcs	Pallet:	240 pcs
Roof pitch with half offset pattern:	≥ 25°	minimum roof pitch
	≥ 18°	with sheathing
	≥ 16°	with welded or adhesive membrane
	≥ 14°	with rainproof sub-roof
	≥ 10°	with waterproof sub-roof

Tile batten 30/50, ridge tile type PD Requirement: 2.5 pcs/rm

Roof pitch	10°	15°	20°	25°	30°	35°	40°	45°	50°	55°	60°
LAF	-	95	90	85	85	85	85	85	85	85	-
FLA	-	85	80	7	60	50	40	30	25	15	-

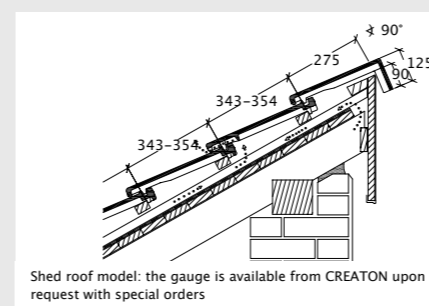
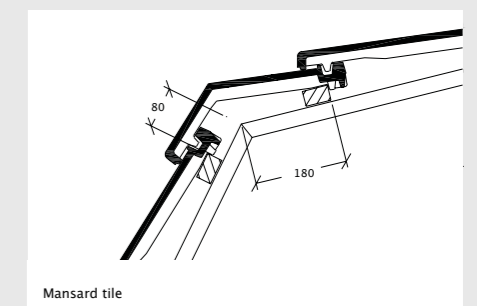
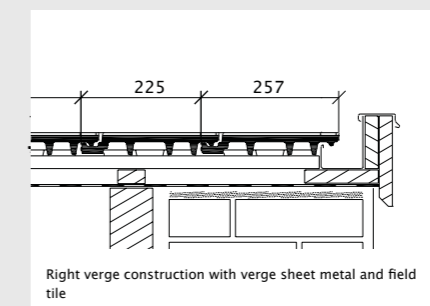
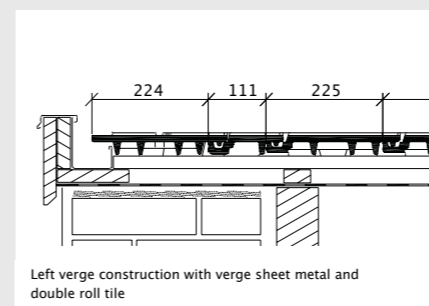
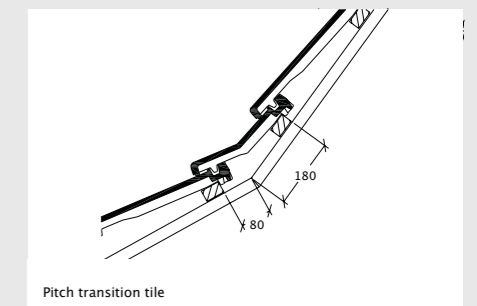
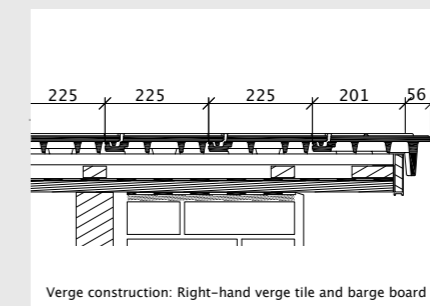
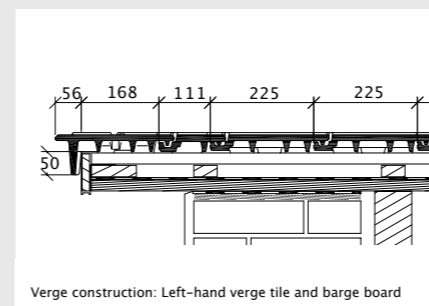
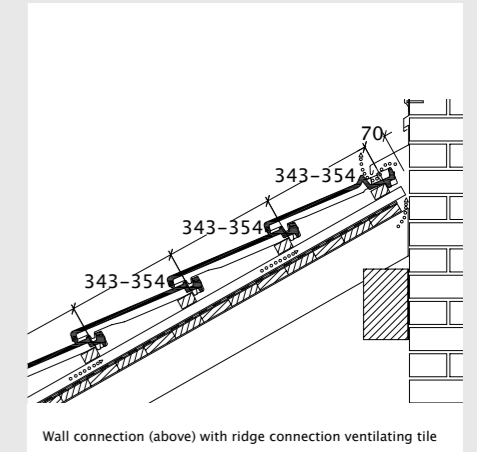
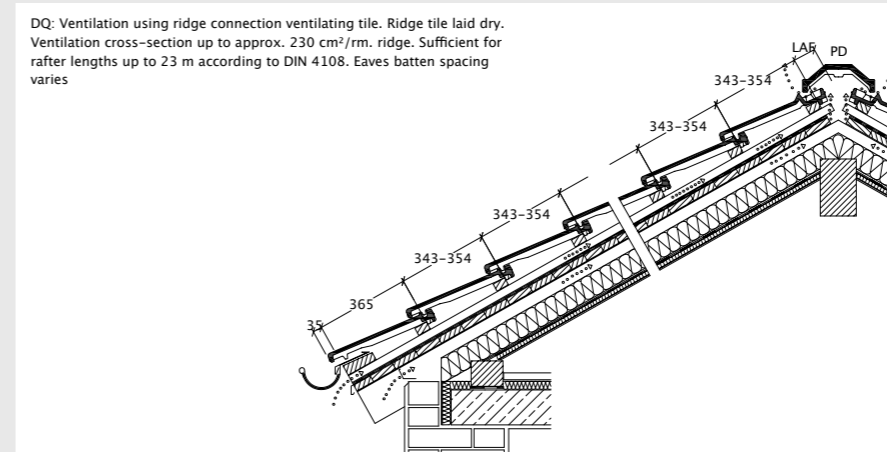
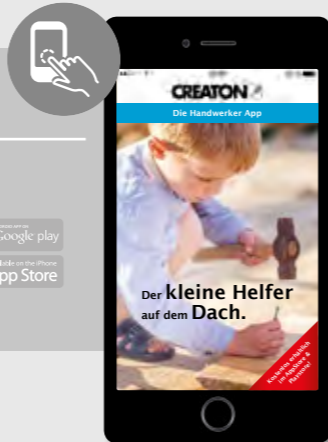
Tile batten 40/60, ridge tile type PD Requirement: 2.5 pcs/rm

Roof pitch	10°	15°	20°	25°	30°	35°	40°	45°	50°	55°	60°
LAF	-	95	90	80	80	80	80	75	70	70	-
FLA	-	95	90	80	70	60	50	40	35	25	-

We would be happy to answer your questions about the execution of the sub-roof area. With batten distances in the minimum/maximum limit range, please make sure to state the batten width when ordering! Minor colour and dimensional deviations may arise due to natural variations in the raw clay.

ROOFER APP

Search for products, view technical drawings or simply make a snow load or storm clip calculation - you can now do all of this quickly and conveniently on site with a smartphone. With the new Roofer app from CREATON, building professionals always have their office with them, wherever they go.



ROOF PLANNER

Request the current roof planner from us. It is also ready for you to download.

www.creaton.de/service



According to the Central Association of the German Roofing Trade (ZVDH) rules for verge tiles, the distance between the inner edge of the verge lug and the outer edge of the gable wall or cladding must be at least 1 cm. The technical drawings shown are merely examples. The information given concerning pitches below the pitch limit and the resulting execution of the sub-roof are based on the specifications of ZVDH in Germany. Different specifications or standards may apply outside Germany (such as Austrian standards). These must be complied with in individual cases and information should be obtained from local specialists.

CREATON – Natural clay sets the tone

CREATON PURITY LAW

BASED ON THE FOUR ELEMENTS



CREATON only uses natural clay raw materials that come from the best extraction sites. The choice quality of all materials used is the basis for the unique surface finish that make CREATON clay roof tiles especially durable, timelessly beautiful and environmentally friendly. We deliberately avoid the use of chemical additives. CREATON stands for pure natural products, environmentally compatible technology and the desire to promote living in healthy surroundings.



Moisture & frost resistant



Fire resistant



Diffusion resistant



UV resistant



Durable



Manufactured in an environmentally-friendly manner

KPDOM/EN/08.2018/ Not responsible for deviation in printed colours. We reserve the right to make technical changes.

CREATON GmbH
Dillinger Strasse 60
86637 Wertingen
Germany
Telephone: +49 (0) 8272 86 0
Fax: +49 (0) 8272 86 500
info@creaton.com
www.creaton.com

an **etex** company