

FUTURA[®] – Flat roof tile







Seamlessly into the future.

VISIO – Sophisticated down to the finest detail

FUTURA

THE BENEFITS

-  **Especially large adjustment range of 29 mm per tile**
-  **First-class materials enable 15 captivating colours in four surface finish variants**
-  **Seamless overlap and optimal flow behaviour**
-  **Also suitable for very flat roofs with pitches as low as 7°**

MINIMUM TILE REQUIREMENT approx. 10.8 pcs/m²



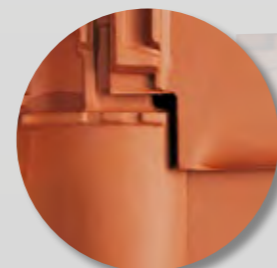
Roof pitch as low as 7°



Even with strong winds, the penetration of rainwater is prevented by the labyrinth technology, with five specially shaped and extremely pronounced side ribs.



The interlock, water control and especially favourable cw value make FUTURA an outstanding tile that is suitable for both very flat and very steep roofs.



Seamless, without open interlock in the horizontal overlap: A roof with FUTURA tiles offers a clean appearance and has fewer deposit areas for dirt and moss.

FUTURA® – Many colours and surface finishes

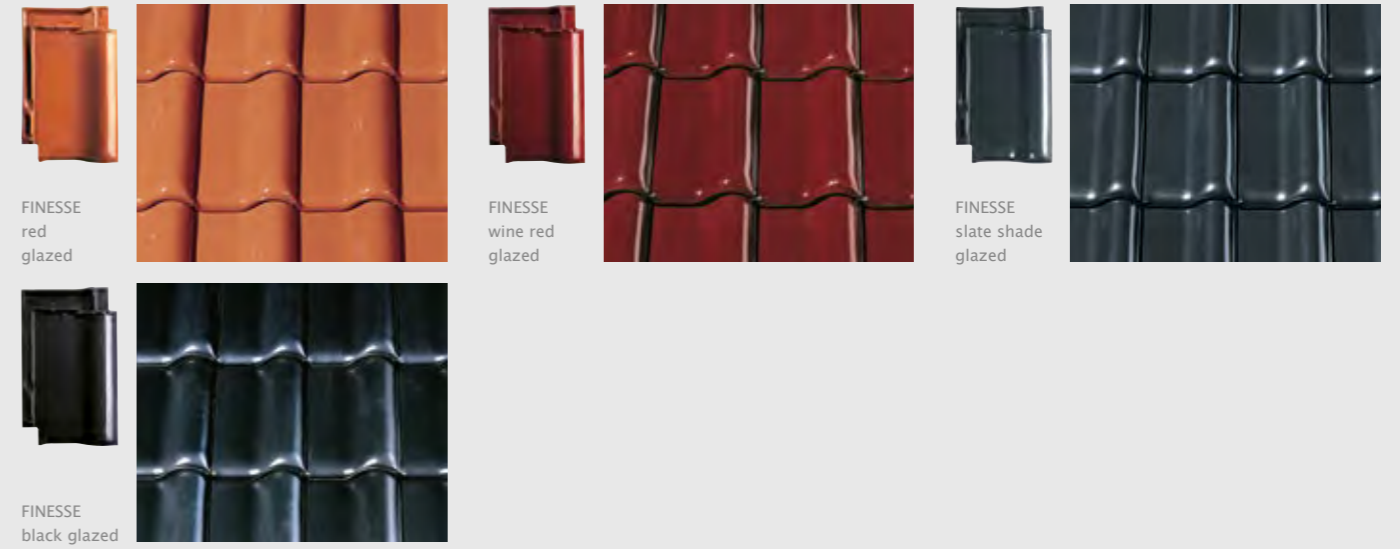
NATURAL RED

PERFECT RAW MATERIALS GUARANTEE QUALITY AND PURITY



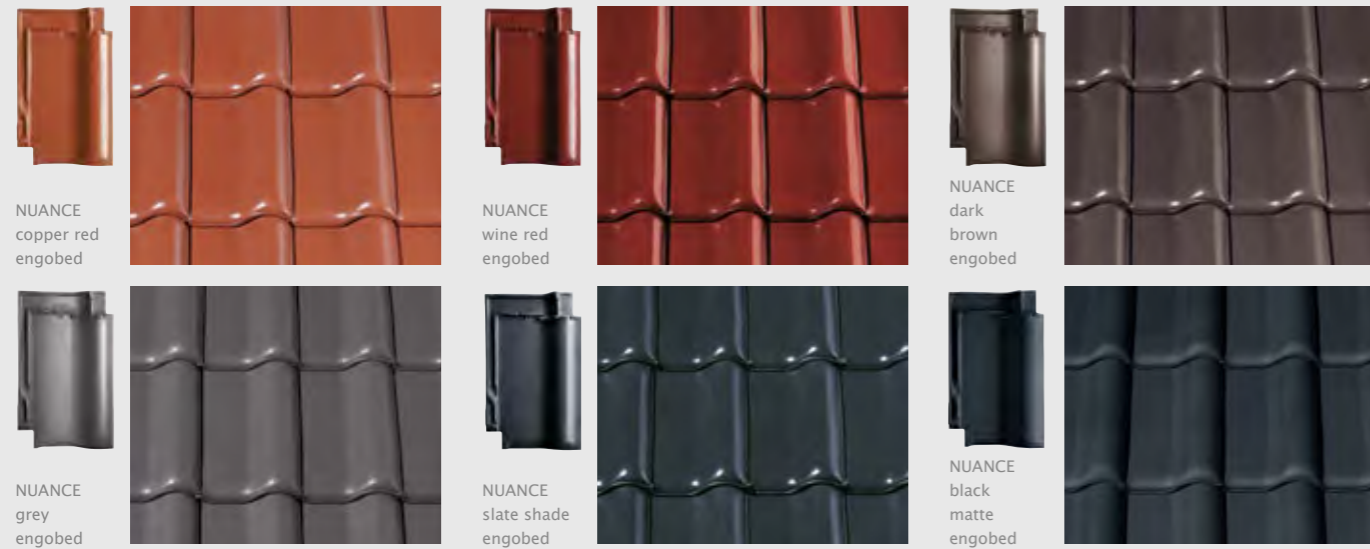
FINESSE

LARGE VOLUME GLAZE



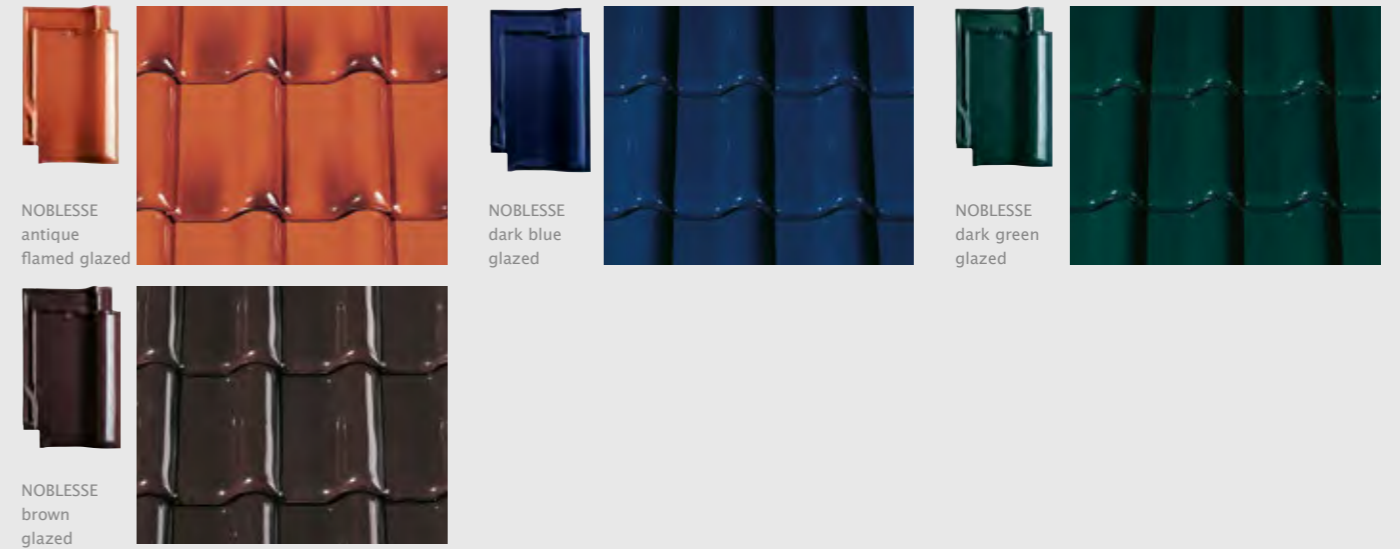
NUANCE

ENGOBES COLLECTION



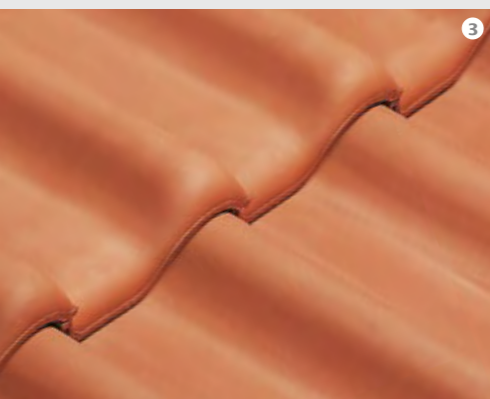
NOBLESSE

EXCLUSIVE COLOURED GLAZE COLLECTION



FUTURA® – Consistent in style and reliability

- 1 NUANCE grey engobed
- 2 NUANCE slate shade engobed
- 3 natural red
- 4 FINESSE wine red glazed
- 5 NOBLESSE dark blue glazed
- 6 FINESSE red glazed



CREATON MEDIA

SEARCH FIND SHARE

Make planning, tender preparation and installation easier with the unique CREATON online media library.

More at www.creaton-media.de





AESTHETIC

RELIABLE

HIGH QUALITY



FUTURA® – Original accessories

CERAMIC ACCESSORIES

NATURAL, PERMANENT COLOUR AND UV PROTECTION



You can find additional accessories in our price catalogue and on our website www.creaton.com/clay-roof-tiles/clay-roof-tiles/interlocking-tiles/futura-108-pcsm2/

The colours of the depicted ridge and hip tile products are examples. The colour of the products you receive will match the desired model.

SYSTEM ACCESSORIES

FAST, EASY AND SECURE INSTALLATION



For safe roof access during maintenance work: CREATON step systems are distinguished by safe, non-slip treads and match the roof perfectly. CREATON snow guard grids, log brackets and massive mountain snow guard supports provide protection from snow and ice loads, especially in regions with heavy snowfall. Strong aluminium base elements were developed for easy, secure installation of flexible components that integrate perfectly into the roof surface in shape and colour.

CREATON

ROOF MEMBRANES



CREATON roof membranes provide you with great protection with **economical, cost-effective** sub-roof assemblies, even with low roof pitches.

FULL CERAMIC RIDGE END CAP

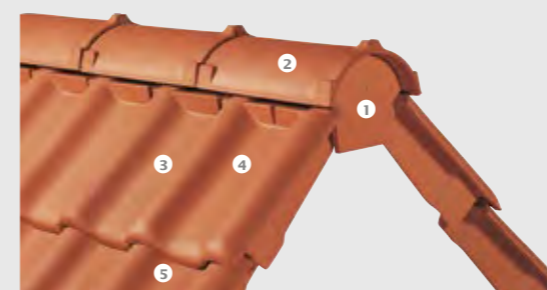
OPTIMAL VENTILATION SYSTEM



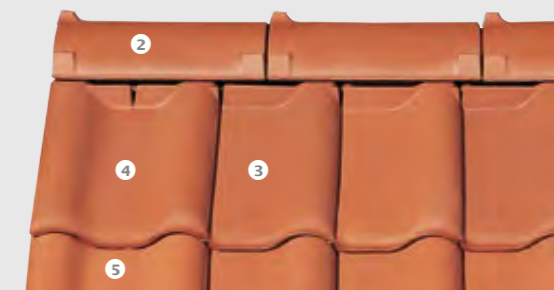
Patented fastening system: fast, secure installation with no ridge batten

Full ceramic roofs are particularly functional, sustainable and visually perfect. CREATON offers the ideal system complement for the FUTURA model with the full ceramic ridge end cap. Ridge connection ventilating tile with full ceramic spoiler ensures optimal ventilation for your roof. Even very flat roofs remain protected from rain intrusion.

Colours and shapes in the CREATON product range always match. And since the patented fastening system requires no mortar or plastic, the full ceramic roof connection is maintenance free. CREATON relies completely on the full ceramic roof – because it is the most economical and beautiful solution with lasting value.



- 1 Ridge starter and ridge termination plate ceramic PF
- 2 Ridge tile PF
- 3 Ridge connection ventilating tile
- 4 Ridge connection ventilating verge tile
- 5 Verge tile



CREATON® – For precision work on the roof

TECHNICAL DATA



**29 MM
ADJUSTMENT
RANGE**

Size:	approx. 300 x 482 mm	
Coverage width:	min.	approx. 234 mm
	average	approx. 237 mm
	max.	approx. 239 mm
Gauge:	min.	approx. 360 mm
	average	approx. 374 mm
	max.	approx. 388 mm
Tiles required:	min.	approx. 11.9 pcs./m ²
	average	approx. 11.3 pcs./m ²
	max.	approx. 10.8 pcs./m ²
Unit weight:	approx. 4.4 kg	approx. 49.7 kg/m ²
Mini-pack: 5 pcs	Pallet:	240 pcs
Roof pitch	≥ 22°	minimum roof pitch
	≥ 14°	with sheathing
	≥ 12°	with welded or adhesive membrane
	≥ 10°	with rainproof sub-roof
	≥ 7°	with waterproof sub-roof

Tile batten 30/50, ridge tile type PF Requirement: 2.5 pcs/rm

Roof pitch	10°	15°	20°	25°	30°	35°	40°	45°	50°	55°	60°
LAF	80	80	75	70	65	65	60	50	45	45	45
FLA	100	95	90	80	70	60	55	55	50	50	40

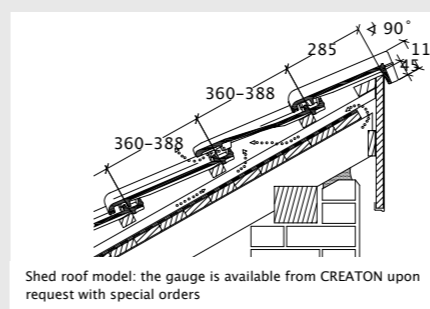
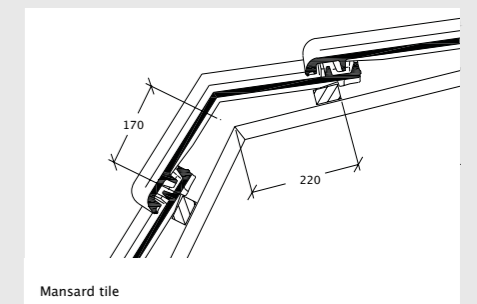
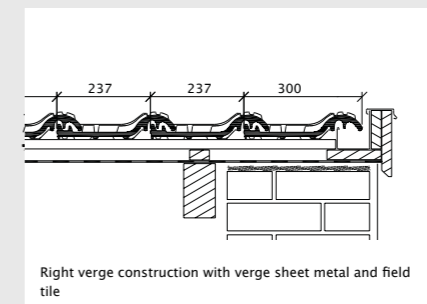
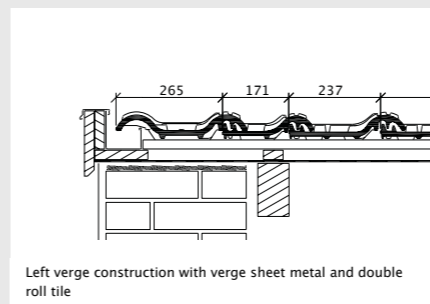
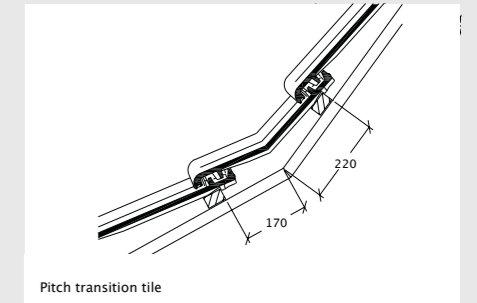
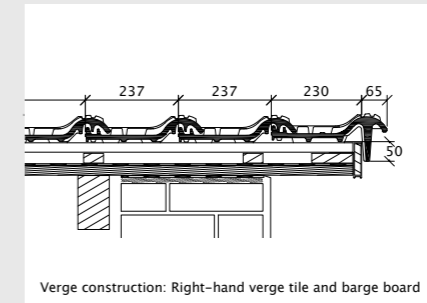
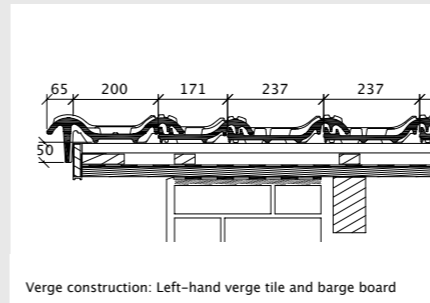
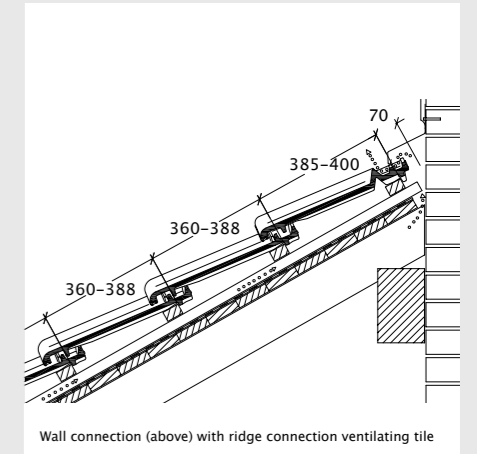
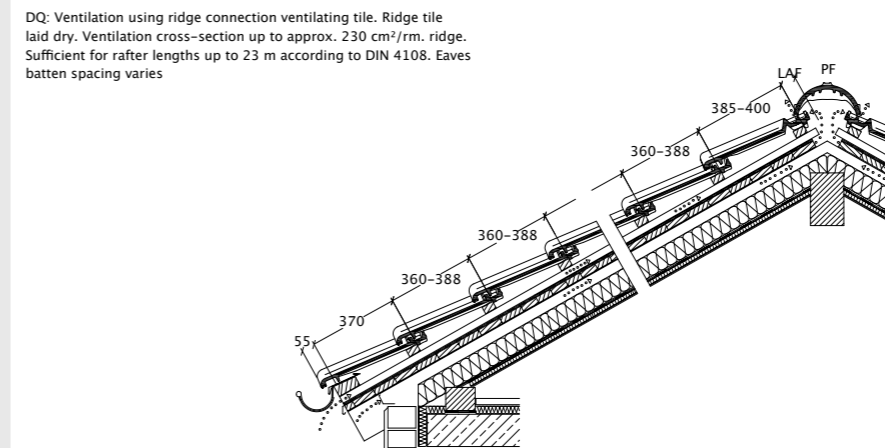
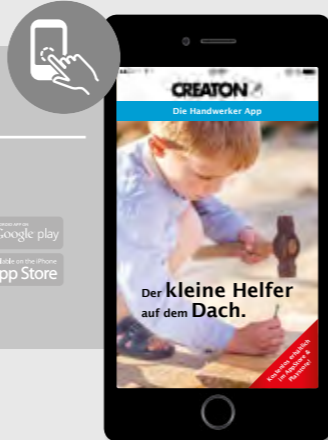
Tile batten 40/60, ridge tile type PF Requirement: 2.5 pcs/rm

Roof pitch	10°	15°	20°	25°	30°	35°	40°	45°	50°	55°	60°
LAF	80	80	75	65	60	60	55	40	30	30	30
FLA	110	105	100	90	80	70	65	65	60	60	50

We would be happy to answer your questions about the execution of the sub-roof area. With batten distances in the minimum/maximum limit range, please make sure to state the batten width when ordering! Minor colour and dimensional deviations may arise due to natural variations in the raw clay.

ROOFER APP

Search for products, view technical drawings or simply make a snow load or storm clip calculation - you can now do all of this quickly and conveniently on site with a smartphone. With the new Roofer app from CREATON, building professionals always have their office with them, wherever they go.



ROOF PLANNER

Request the current roof planner from us. It is also ready for you to download.

www.creaton.de/service



According to the Central Association of the German Roofing Trade (ZVDH) rules for verge tiles, the distance between the inner edge of the verge lug and the outer edge of the gable wall or cladding must be at least 1 cm. The technical drawings shown are merely examples. The information given concerning pitches below the pitch limit and the resulting execution of the sub-roof are based on the specifications of ZVDH in Germany. Different specifications or standards may apply outside Germany (such as Austrian standards). These must be complied with in individual cases and information should be obtained from local specialists.

CREATON – Natural clay sets the tone

CREATON PURITY LAW

BASED ON THE FOUR ELEMENTS



CREATON only uses natural clay raw materials that come from the best extraction sites. The choice quality of all materials used is the basis for the unique surface finish that make CREATON clay roof tiles especially durable, timelessly beautiful and environmentally friendly. We deliberately avoid the use of chemical additives. CREATON stands for pure natural products, environmentally compatible technology and the desire to promote living in healthy surroundings.



Moisture & frost resistant



Fire resistant



Diffusion resistant



UV resistant



Durable



Manufactured in an environmentally-friendly manner

KPFUT/EN/08.2018/ Not responsible for deviation in printed colours. We reserve the right to make technical changes.

CREATON GmbH
Dillinger Strasse 60
86637 Wertingen
Germany
Telephone: +49 (0) 8272 86 0
Fax: +49 (0) 8272 86 500
info@creaton.com
www.creaton.com

an **etex** company